

**S1D13774 WVGA LCD Controller**

**May 2008**

The S1D13774 is a low cost, low power LCD Controller providing multiple LCD support for embedded and mobile products requiring up to WVGA resolution. The Video Input interface and optional TV-Out support, via an external NTSC/PAL encoder, enhance the capabilities of the S1D13774 to meet a wide variety of applications. Supporting up to three display layers, the S1D13774 provides the Host processor with flexibility in handling multiple image sources.

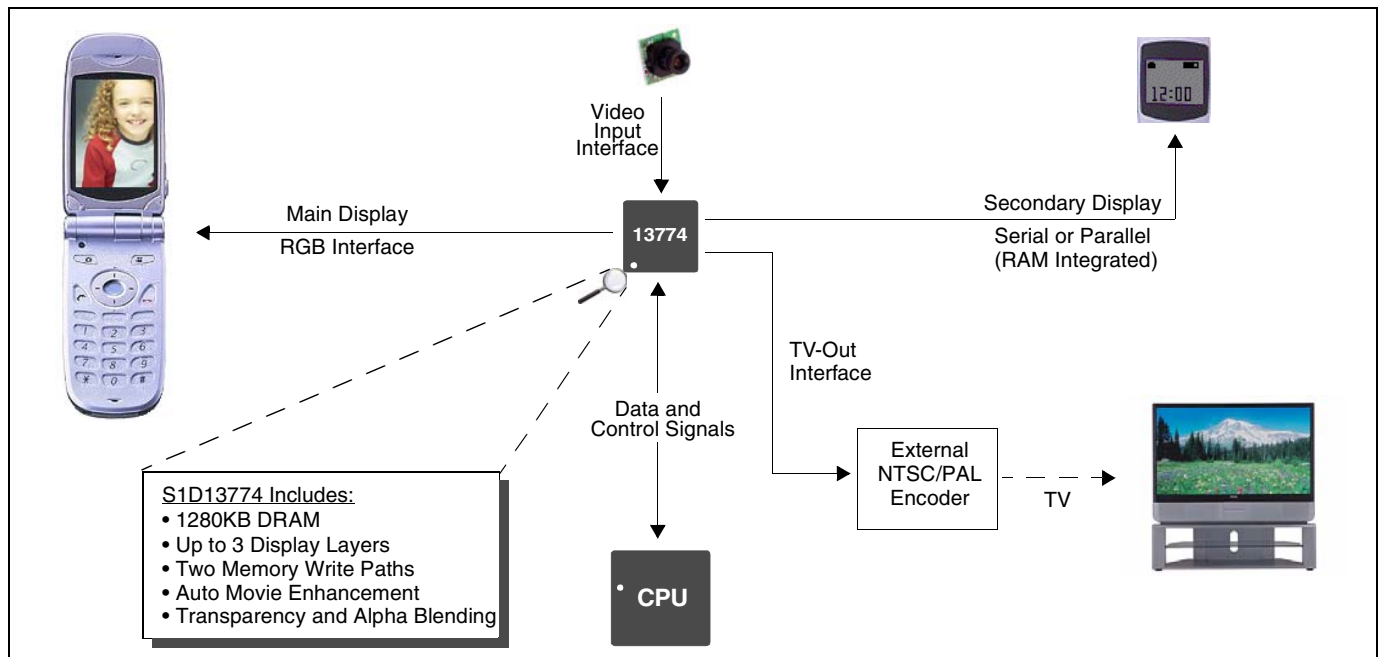
The S1D13774 feature set includes independent resizing of PIP window image data using the bi-cubic scaler, rotation and mirror functions, alpha blending and transparency, image scrolling for each layer, and LCD output manipulation such as gamma control and optional dithering. The Auto Movie Enhancement (AME) feature allows independent chroma, contrast, and gamma adjustments of the image data in a selected PIP window. The combination of these features allows the Host processor to provide image data, but off-loads the image processing requirements from the Host.

The S1D13774 contains 1280K bytes of embedded DRAM which is used to store image data for up to three layers. This feature set provides a low cost, low power single chip solution to meet the demands of embedded markets requiring up to WVGA resolution, such as Mobile Communications devices.

**■ FEATURES**

- Embedded 1280K byte DRAM
- MDDI, 18-bit Indirect, or I2C Host Interface
- Supports up to 2 LCD panels (LCD2 must be RAM integrated)
- Support for RGB, Serial, and Parallel I/F panels
- TV-Out support via an external NTSC/PAL encoder
- Video Input Interface
- Support for up to 3 display layers with overlay and alpha blending
  - Main Layer image can be doubled in size
  - PIP1 Layer can be resized from 8x to 1/2x
  - PIP2 Layer can be resized from 8x to 1/2x
- Software Initiated Power Save Mode
- VFBGA 161-pin or PFBGA 181-pin package

**■ SYSTEM BLOCK DIAGRAM**



## S1D13774

### DESCRIPTION

#### Memory

- 1280K bytes of embedded DRAM
- Main and Sub Write Paths:
  - Main Write Path features 90/180/270° Rotation, Mirror, eIC, and double-buffering functions
  - eco Image Codec (eIC) can store 2 WVGA images (480x800@24bpp) within 1280K bytes of memory
  - Sub Write Path supports double-buffering function

#### CPU Interface

- MDDI Client Type 1 (up to 400Mbps) and I2C Slave
- 18-bit Indirect Host and I2C Slave

#### Display Support

- Supports up to two panels:
  - LCD1: 18/24-bit RGB interface panel
  - LCD2:
    - 8/16/18/24-bit Parallel interface (RAM Integrated)
    - 8/16-bit Serial interface (RAM Integrated)
- TV-Out support using and external NTSC/PAL encoder
  - HSYNC & Field Interface (Interlaced)
  - ITU-R BT656 Interface (Interlaced)
  - Parallel (MPU) Interface (Non-Interlaced)
- Simultaneous output to LCD1 and TV-Out Interface is possible (Main to LCD1, PIP1/PIP2 to TV-Out)

#### Input Formats

- Host can input image data as:
  - YUV 4:2:2 or YUV 4:2:0
  - RGB 5:6:5, RGB 6:6:6, or RGB 8:8:8

#### Video Input Interface

- 8-bit YUV or 12-bit RGB Interface
- MVI3-RX (360Mbps/ch x 2 ch) (PFBGA 181-pin only)

#### Display Features

- Supports up to 3 layers with Overlay and Alpha Blending:
  - Main Layer features:
    - Image can be stored as RGB format
    - Pixel Doubling which doubles the size of the display image (independent horizontal/vertical)
  - PIP1 Layer features:
    - Image can be stored as RGB or YUV format
    - Bi-Cubic Scaler can resize image from 1/2x ~ 8x
    - Edge Enhancement support
  - PIP2 Layer features:
    - Image can be stored as RGB or YUV format
    - Bi-Cubic Scaler can resize image from 1/2x ~ 8x
    - Panorama function allows variable horizontal or vertical scaling
    - Edge Enhancement support
- Auto Movie Enhancement (AME) allows independent chroma, contrast, and gamma adjustments
- Image Scrolling for each Layer (Main, PIP1, PIP2)
- LUT (Look-Up Table) for gamma control of the LCD output
- Optional dithering for the LCD output

#### Miscellaneous

- Internal PLL or digital clock input (CLKI)
- Software initiated power save mode
- Available General Purpose IO pins
- Voltages:
  - CORE 1.5 volts
  - DRAM 1.5 volts and 2.5 volts
  - IO 1.80 volts or 2.50 volts
- Package:
  - VFBGA 161-pin (no MVI3), 7mm x 7mm x 1mm (S1D13774B01B)
  - VFBGA 161-pin (no MVI3 no MDDI), 7mm x 7mm x 1mm (S1D13774B02B)
  - PFBGA 181-pin (stacked MVI3), 8mm x 8mm x 1.2mm (S1D13774A00B)

### CONTACT YOUR SALES REPRESENTATIVE FOR THESE COMPREHENSIVE DESIGN TOOLS

- S1D13774 Technical Documentation
- CPU Independent Software Utilities
- S1D13774 Evaluation Boards
- Royalty Free source level driver code

#### Japan

Seiko Epson Corporation  
 IC International Sales Group  
 421-8, Hino, Hino-shi  
 Tokyo 191-8501, Japan  
 Tel: 042-587-5812  
 Fax: 042-587-5564  
<http://www.epson.co.jp/>

#### Hong Kong

Epson Hong Kong Ltd.  
 20/F, Harbour Centre  
 25 Harbour Road  
 Wanchai, Hong Kong  
 Tel: 2585-4600  
 Fax: 2827-4346  
<http://www.epson.com.hk/>

#### North America

Epson Electronics America, Inc.  
 2580 Orchard Parkway  
 San Jose, CA 95131, USA  
 Tel: (408) 922-0200  
 Fax: (408) 922-0238  
<http://www.eea.epson.com/>

#### Europe

Epson Europe Electronics GmbH  
 Riesstrasse 15  
 80992 Munich, Germany  
 Tel: 089-14005-0  
 Fax: 089-14005-110  
<http://www.epson-electronics.de/>

#### Taiwan

Epson Taiwan Technology & Trading Ltd.  
 14F, No. 7  
 Song Ren Road  
 Taipei 110  
 Tel: 02-8786-6688  
 Fax: 02-8786-6677  
<http://www.epson.com.tw/>

#### Singapore

Epson Singapore Pte Ltd  
 1 HarbourFront Place #03-02  
 HarbourFront Tower One  
 Singapore, 098633  
 Tel: (65) 6586-5500  
 Fax: (65) 6271-3182  
<http://www.epson.com.sg/>

© SEIKO EPSON CORPORATION 2007 - 2008. All rights reserved.

Information in this document is subject to change without notice. You may download and use this document, but only for your own use in evaluating Seiko Epson/EPSON products. You may not modify the document. Epson Research and Development, Inc. disclaims any representation that the contents of this document are accurate or current. The Programs/Technologies described in this document may contain material protected under U.S. and/or International Patent laws.

EPSON is a registered trademark of Seiko Epson Corporation. All other trademarks are the property of their respective owners.

# Mouser Electronics

Authorized Distributor

Click to View Pricing, Inventory, Delivery & Lifecycle Information:

Epson:

[S1D13774B02B100](#)